



OptiServ Hybrid™ 700 Series

Hands-Free Hybrid Dispensing System



wausauPAPER

1150 Industry Road • PO Box 189 • Harrodsburg, Kentucky 40330-0189 • 1 800 723 0001 • www.wausaupaper.com

OPTISERV HYBRID™

The OptiServ Hybrid™ roll towel dispenser offers a unique touch-free design with convenient mechanical option. The OptiServ Hybrid™ is available in five translucent color choices: Black, Red, Green, Blue and White.



Dual Functionality Dispenser Design

Unique and elegant, the OptiServ Hybrid™ is ideal for office buildings, colleges and universities, and high-traffic restrooms. It offers the benefit of electronic touch free dispensing, as well as the convenience of hands-free mechanical dispensing when desired.

Electronic Touch Free Dispensing

The OptiServ Hybrid™ offers touch free dispensing. The towel is stored fully protected inside the dispenser until service is requested by passing your hand in front of the electronic sensor on the front panel. Touch free operation is particularly important in public restrooms, with food preparation, and in healthcare environments where cross-contamination could be a concern. Touch free service meets customers demand for improved sanitation and supports the market trend toward automated restroom devices such as faucets and flush valves.

Mechanical Hands-Free Dispensing

ADA compliant, the electronic/mechanical dual functionality of the OptiServ Hybrid™ is ideal for patrons who are more comfortable with mechanical operation. The mechanical emergency feed bar is conveniently located beneath the dispenser and designed for ease of use. Mechanical operation helps to sustain battery life and assures dispenser functionality if batteries are not functional.

Easy to Use Battery Compartment

The OptiServ Hybrid™ features an easy-access battery compartment for battery replacements. Six D cell standard alkaline batteries are included and can be installed directly into the battery holder. High-quality alkaline batteries will last up to sixty 800-foot rolls when properly installed in an ideal application. Battery life will vary depending upon the quality of the replacement battery purchased.



ADA Title III Compliant

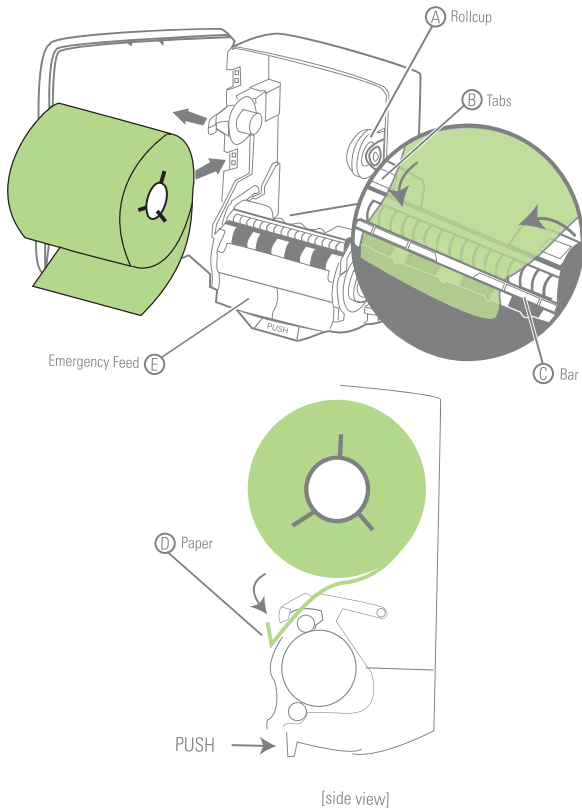
The OptiServ Hybrid™ dispenser is ADA Title III compliant when installed according to the guidelines outlined in the ADA Standards for Accessible Design. Paper is easily dispensed from the OptiServ Hybrid™ with one hand, with less than 5 lbs. of force, and without tight grasping, pinching or twisting of the wrist.



- 1 Custom Imprints**
The OptiServ Hybrid™ is available in a variety of colors and can be custom imprinted with a company name or logo for a unique, coordinated washroom appearance.
- 2 Easy Mounting**
The back-housing is made with slots for easy mounting in a variety of installation patterns.
- 3 Easy Installation**
The OptiServ Hybrid™ is completely self contained and requires no external electricity or wiring.
- 4 Easy Maintenance**
The translucent cover allows maintenance staff to see at-a-glance when it is time to refill.
- 5 Quiet Dispensing**
The OptiServ Hybrid™ features quiet dispensing with a gear train certified by the American Gear Manufacturers Association (AGMA).

- 6 Unique Design**
The OptiServ Hybrid™ is the first electronic dispenser to feature an emergency feed bar. Service can be requested by activating the sensor, pulling the exposed towel, or pressing the emergency feed bar.
- 7 Easy Battery Installation**
Six D cell alkaline batteries are installed directly into the battery holder eliminating the need for special battery packs or adapters.
- 8 Unique Transfer Feature**
The unique transfer feature allows maintenance staff to insert a new roll along with a 4-inch stub roll. The new roll self-starts only after the stub roll is depleted, eliminating wasted toweling, double feeding, and service interruptions.
- 9 Easy Loading**
Side-hinged door for easy loading, with secure locking mechanism to prevent pilferage.

LOADING INSTRUCTIONS

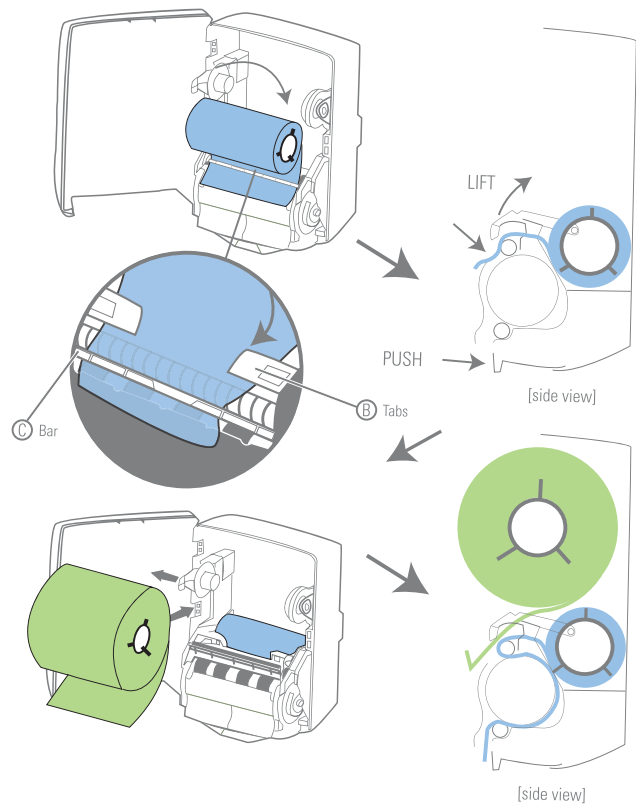


Loading Instructions

Step 1. Insert new roll into dispenser, with notches on end of roll lined up with notched roll cup (Figure A) on right-hand side of dispenser.

Step 2. Thread paper over white tabs (Figure B) and under bar (Figure C). Crease tail of paper upward (Figure D). Push Emergency Feed (Figure E) to start paper.

STUB ROLL TRANSFER



Stub Roll Transfer

Step 1. Remove stub roll from roll supports leaving the paper threaded through dispenser. Lift bar (Figure C) and place stub roll paper under white tabs (Figure B). Place stub roll in bottom of dispenser.

Step 2. Then, load new roll according to "Loading Instructions" to the left.

Instrucciones de instalación

Paso 1. Inserte el rollo nuevo en el dispensador, con las ranuras al extremo del rollo alineadas con el portarrollos ranurado (Figura A) al lado derecho del dispensador.

Paso 2. Enfile el papel sobre las lengüetas blancas (Figura B) y debajo de la barra (Figura C). Doble la punta del papel hacia arriba (Figura D). Presione Emergency Feed (alimentación de emergencia) para empezar el paso del papel.

Transferencia del resto del rollo

Paso 1. Retire el resto del rollo de los soportes, dejando el papel enfilado en el dispensador. Levante la barra (Figura C) y coloque el papel del resto del rollo debajo de las lengüetas blancas (Figura B). Coloque el resto del rollo en el extremo inferior del dispensador.

Paso 2. Luego, instale el rollo nuevo siguiendo las "Instrucciones de instalación" a la izquierda.

Controlled roll towels are designed specifically to be used with Wausau Paper's controlled-use dispensing systems. Controlling usage can save on maintenance time and costs.



DublSoft® Roll Towels

This embossed DublSoft® controlled roll towel is best suited for class A office buildings, hotel convention facilities, and healthcare facilities. It features superior softness, strength and absorbency and is designed for users who are greatly concerned with the image of their building. For use with our controlled-use dispensing systems to reduce maintenance time and waste.

- Consumer-like embossing
- Maximum softness & absorbency
- Premium image for upscale facilities

Dubl-Nature® Roll Towels

Made from a superior grade of 100% recycled wastepaper for exceptional brightness and absorbency, Dubl-Nature® is ideal for customers who prefer a recycled towel with exceptional quality and performance. Designed for use with our controlled-use dispensing systems.

- Green Seal-certified
- Attractive embossing for upscale facilities
- Stylish & sophisticated appearance



EcoSoft™ Green Seal™ Roll Towels

EcoSoft™ Green Seal™ controlled roll towels satisfy those who prefer to purchase quality towels produced with methods less harmful to the environment. This roll towel is 100% recycled and exceeds EPA guidelines for post-consumer wastepaper content. Designed for use with our controlled-use and universal dispensing systems.

- Available in natural and natural white
- Natural towels contain up to 82% post-consumer waste
- Natural white towels contain up to 73% post-consumer waste



EcoSoft™ Roll Towels

EcoSoft™ controlled roll towels satisfy customers who prefer recycled toweeling that helps create a cleaner environment. Designed for use with our controlled-use and universal dispensing systems.

- 100% recycled and meets U.S. EPA guidelines
- Contains a minimum of 40% post-consumer waste
- Ideal for the healthcare environment



Dispenser Specifications

No.	Description	Color	Dispenser Size (W" x H" x D")	Dispenser Weight	Case Size (W" x H" x D")	Cases Per Unit	Average Case Cube	Approx. Case Weight
77510	OptiServ Hybrid™ Hands-Free	Black Translucent	11 ¹¹ / ₁₆ x 16 ¹¹ / ₁₆ x 9 ⁷ / ₁₆	9.25 lbs.	16 ³ / ₄ x 12 ¹ / ₄ x 9 ⁹ / ₁₆	90	1.14	10 lbs.
77530	OptiServ Hybrid™ Hands-Free	Red Translucent	11 ¹¹ / ₁₆ x 16 ¹¹ / ₁₆ x 9 ⁷ / ₁₆	9.25 lbs.	16 ³ / ₄ x 12 ¹ / ₄ x 9 ⁹ / ₁₆	90	1.14	10 lbs.
77540	OptiServ Hybrid™ Hands-Free	Green Translucent	11 ¹¹ / ₁₆ x 16 ¹¹ / ₁₆ x 9 ⁷ / ₁₆	9.25 lbs.	16 ³ / ₄ x 12 ¹ / ₄ x 9 ⁹ / ₁₆	90	1.14	10 lbs.
77550	OptiServ Hybrid™ Hands-Free	Blue Translucent	11 ¹¹ / ₁₆ x 16 ¹¹ / ₁₆ x 9 ⁷ / ₁₆	9.25 lbs.	16 ³ / ₄ x 12 ¹ / ₄ x 9 ⁹ / ₁₆	90	1.14	10 lbs.
77560	OptiServ Hybrid™ Hands-Free	White Translucent	11 ¹¹ / ₁₆ x 16 ¹¹ / ₁₆ x 9 ⁷ / ₁₆	9.25 lbs.	16 ³ / ₄ x 12 ¹ / ₄ x 9 ⁹ / ₁₆	90	1.14	10 lbs.

Controlled Roll Towel Specifications

No.	Name	Color	Dispenser	Roll Width	Feet per Roll	Rolls per Case	Feet per Case	Cases per Unit	Cases per Even Layer	Average Case Cube	Approx. Case Weight
DublSoft® Roll Towels											
06307	DublSoft®	White	75010, 76500, 77500, 77510, 79400, 79500	7½"	630	6	3,780	55	5	1.7	25 lbs.
Dubl-Nature® Roll Towels											
• 78090	Dubl-Nature®	White	75010, 76500, 77500, 77510, 79400, 79500	7½"	800	6	4,800	55	5	1.7	27 lbs.
EcoSoft™ Green Seal™ Roll Towels											
• 71300	EcoSoft™ Green Seal™	Natural	75010, 76500, 77500, 77510, 79400, 79500	7½"	800	6	4,800	55	5	1.7	26 lbs.
• 71400	EcoSoft™ Green Seal™	Natural White	75010, 76500, 77500, 77510, 79400, 79500	7½"	800	6	4,800	55	5	1.7	26 lbs.
EcoSoft™ Roll Towels											
71600	EcoSoft™	White	75010, 76500, 77500, 77510, 79400, 79500	7½"	630	6	3,780	55	5	1.7	21 lbs.
71900	EcoSoft™	White	75010, 76500, 77500, 77510, 79400, 79500	7½"	800	6	4,800	55	5	1.7	26 lbs.

• Denotes Green Seal-certified products.

Green Seal Standards for Paper Towels (GS-9)

- 100% Recycled (recovered after papermaking process)
- Minimum 40% post-consumer wastepaper content (EPA guidelines)
- Wastepaper is not de-inked using solvents containing chlorine or any of its derivatives such as hypochlorite and chlorine dioxide.
- Wastepaper is not bleached using chlorine or any of its derivatives such as hypochlorite and chlorine dioxide.
- Paper towels do not contain any added pigments, inks, dyes or fragrances.
- Product is made in accordance with reasonable industry practice with respect to holes, tears, wrinkles, cleanliness, foreign materials or dirt. Product must dispense properly from the container (dispenser) or roll.
- The cores in the roll towels are made from 100% recycled materials.
- Packaging materials cannot contain lead, cadmium, mercury and hexavalent chromium in excess of 100 parts per million (above trace levels).



Green Seal™ is a trademark of Green Seal, Inc. in Washington, D.C. Used by permission.